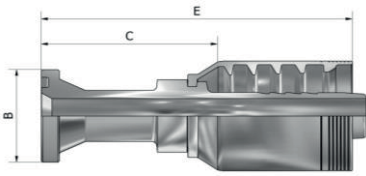


## DF70S SERIES(SAE Code 61 Flange Straight)

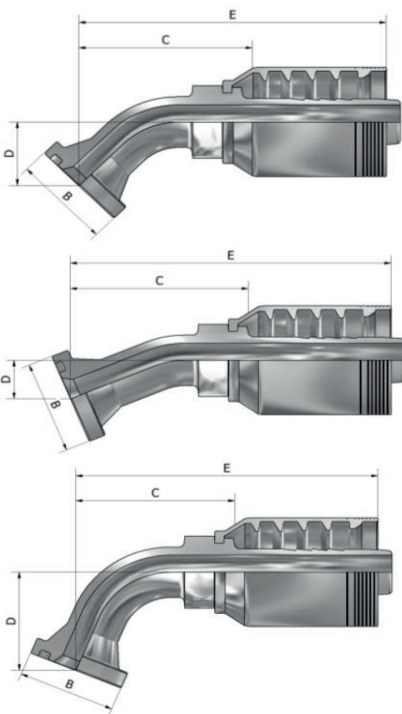
LDL



PART NUMBER	Products Description							
	Hose In-Dia	Flange Size	Flange Dia		Tail-Growth		Overall Length	
			MM	Inch	MM	Inch	MM	Inch
			B		C		E	
DF70S-12-12	3/4	3/4	38.1	1.50	67.8	2.67	120.0	4.72
DF70S-16-12	3/4	1"	44.5	1.75	54.3	2.14	106.5	4.19
DF70S-16-16	1"	1"	44.5	1.75	70.8	2.79	124.8	4.91
DF70S-20-16	1"	1-1/4	50.8	2.00	43.5	1.71	97.5	3.84
DF70S-20-20	1-1/4	1-1/4	50.8	2.00	86.1	3.39	151.0	5.94
DF70S-24-20	1-1/4	1-1/2	60.3	2.37	71.8	2.83	136.7	5.38
DF70S-24-24	1-1/2	1-1/2	60.3	2.37	104.0	4.09	177.0	6.97
DF70S-24-32	2"	1-1/2	60.3	2.37	107.1	4.22	190.0	7.48
DF70S-32-24	1-1/2	2"	71.2	2.80	71.9	2.83	144.9	5.70
DF70S-32-32	2"	2"	71.2	2.80	98.5	3.88	181.4	7.14

## DF74S SERIES(SAE Code 61 Flange 45°)

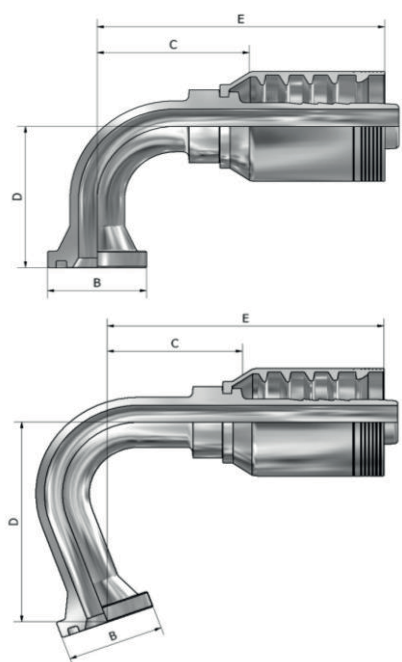
LDL



PART NUMBER	Products Description									
	Hose In-Dia	Flange Size	Flange Dia		Tail-Growth		Drop		Overall Length	
			MM	Inch	MM	Inch	MM	Inch	MM	Inch
			B		C		D		E	
DF74S-12-12	3/4	3/4	38.1	1.50	67.2	2.65	26.4	1.04	119.4	4.70
DF74S-16-12	3/4	1"	44.5	1.75	68.9	2.71	28.0	1.10	121.0	4.76
DF74S-16-12A22.5	3/4	1"	44.5	1.75	74.8	2.94	16.9	0.67	119.8	4.72
DF74S-16-12A30	3/4	1"	44.5	1.75	72.9	2.87	21.3	0.84	117.9	4.64
DF74S-16-12A60	3/4	1"	44.5	1.75	69.7	2.74	42.1	1.66	114.6	4.51
DF74S-16-12A67.5	3/4	1"	44.5	1.75	66.3	2.61	44.1	1.74	111.3	4.38
DF74S-16-16	1"	1"	44.5	1.75	81.4	3.20	32.0	1.26	135.3	5.33
DF74S-16-16A22.5	1"	1"	44.5	1.75	88.4	3.48	19.7	0.78	142.8	5.62
DF74S-16-16A30	1"	1"	44.5	1.75	86.3	3.40	24.8	0.98	140.7	5.54
DF74S-16-16A67.5	1"	1"	44.5	1.75	84.0	3.31	61.4	2.42	138.4	5.45
DF74S-20-16	1"	1-1/4	50.8	2.00	81.4	3.20	32.0	1.26	135.3	5.33
DF74S-20-16A22.5	1"	1-1/4	50.8	2.00	88.1	3.47	19.6	0.77	142.5	5.61
DF74S-20-16A30	1"	1-1/4	50.8	2.00	86.0	3.39	24.6	0.97	140.5	5.53
DF74S-20-16A60	1"	1-1/4	50.8	2.00	88.9	3.50	58.6	2.31	143.4	5.65
DF74S-20-20	1-1/4	1-1/4	50.8	2.00	107.1	4.22	38.0	1.50	171.9	6.77
DF74S-24-20	1-1/4	1-1/2	60.3	2.37	108.1	4.26	38.0	1.50	172.9	6.81
DF74S-24-24	1-1/2	1-1/2	60.3	2.37	123.4	4.86	41.0	1.61	196.4	7.73
DF74S-32-24	1-1/2	2"	71.4	2.81	133.9	5.27	50.0	1.97	206.9	8.15
DF74S-32-32	2"	2"	71.4	2.81	154.8	6.09	50.0	1.97	237.7	9.36

## DF79S SERIES(SAE Code 61 Flange 90°)

LDL



PART NUMBER	Products Description									
	Hose In-Dia	Flange Size	Flange Dia		Tail-Growth		Drop		Overall Length	
			MM	Inch	MM	Inch	MM	Inch	MM	Inch
			B		C		D		E	
DF79S-12-12	3/4	3/4	38.1	1.50	58.4	2.30	58.0	2.28	110.6	4.35
DF79S-12-12A110	3/4	3/4	38.1	1.50	56.7	2.23	84.0	3.31	108.9	4.29
DF79S-12-12D83	3/4	3/4	38.1	1.50	58.1	2.29	83.0	3.27	103.0	4.06
DF79S-16-12	3/4	1"	44.5	1.75	58.4	2.30	58.0	2.28	110.6	4.35
DF79S-16-12A110	3/4	1"	44.5	1.75	56.7	2.23	84.0	3.31	108.9	4.29
DF79S-16-12D77	3/4	1"	44.5	1.75	58.1	2.29	77.0	3.03	103.0	4.06
DF79S-16-16	1"	1"	44.5	1.75	71.6	2.82	70.0	2.76	125.6	4.94
DF79S-16-16A110	1"	1"	44.5	1.75	63.7	2.51	94.0	3.70	117.7	4.63
DF79S-16-16D100	1"	1"	44.5	1.75	71.2	2.80	100.0	3.94	125.6	4.94
DF79S-16-16D117	1"	1"	44.5	1.75	96.6	3.80	117.0	4.61	150.6	5.93
DF79S-20-16	1"	1-1/4	50.8	2.00	71.6	2.82	70.0	2.76	125.6	4.94
DF79S-20-16A110	1"	1-1/4	50.8	2.00	67.7	2.67	94.0	3.70	121.7	4.79
DF79S-20-16D117	1"	1-1/4	50.8	2.00	96.7	3.81	117.0	4.61	150.6	5.93
DF79S-20-20	1-1/4	1-1/4	50.8	2.00	95.4	3.76	82.0	3.23	160.3	6.31
DF79S-20-20D140	1-1/4	1-1/4	50.8	2.00	115.4	4.54	140.0	5.51	180.3	7.10
DF79S-24-20	1-1/4	1-1/2	60.3	2.37	96.4	3.80	90.0	3.54	161.3	6.35
DF79S-24-24	1-1/2	1-1/2	60.3	2.37	114.6	4.51	104.0	4.09	187.6	7.39
DF79S-32-24	1-1/2	2"	71.4	2.81	116.1	4.57	104.0	4.09	189.1	7.44
DF79S-32-32	2"	2"	71.4	2.81	151.7	5.97	120.0	4.72	234.6	9.24